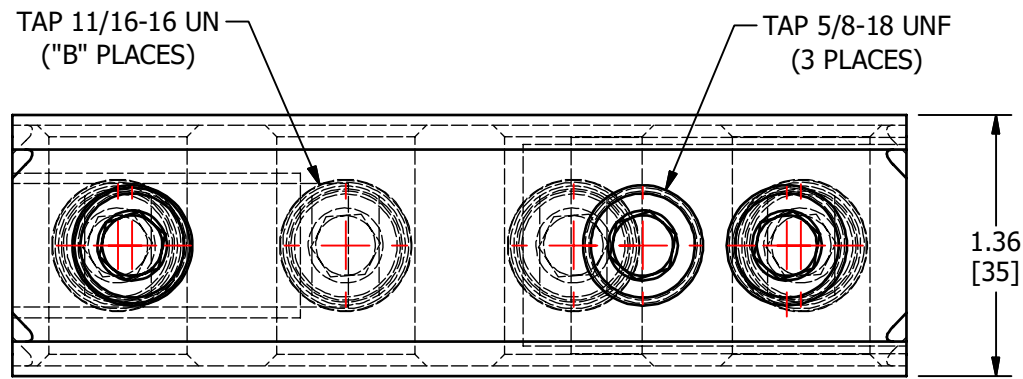
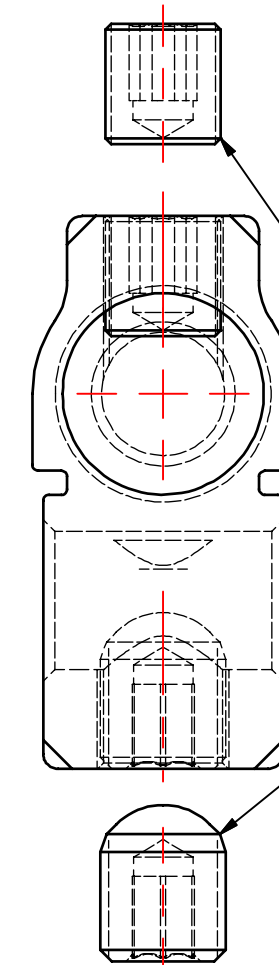
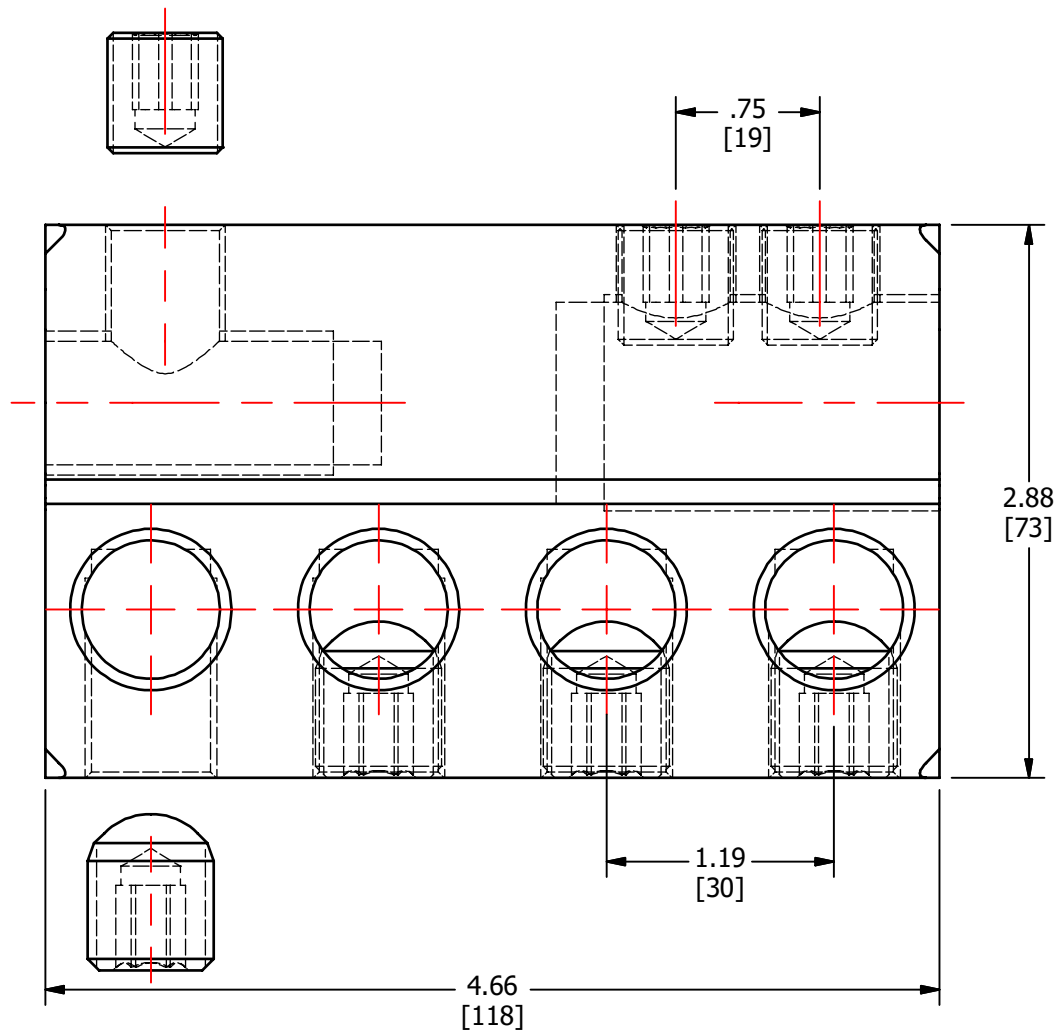
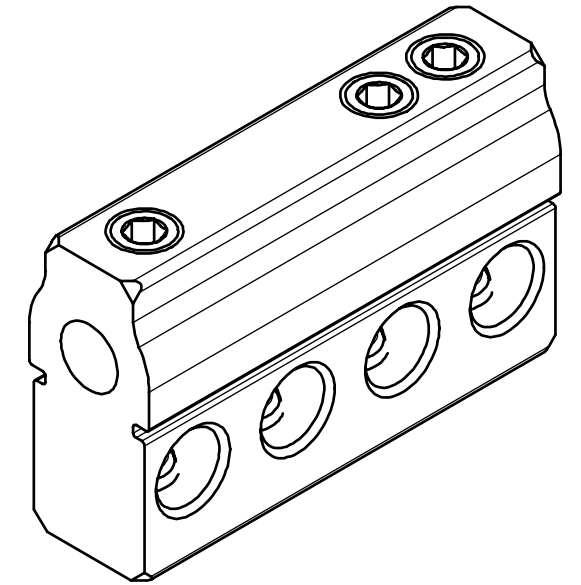


S.NO	CATALOG NUMBER	L	B
1	RLUSS350-4I	4.66 [118]	4
2	RLUSS350-4	4.66 [118]	4
3	RLUSS350-6I	7.04 [179]	6
4	RLUSS350-8I	9.41 [239]	8
5	RLUSS350-8	9.41 [239]	8



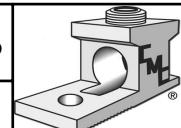
**MARKING**

CMC  
USSM 350-4  
350KCMIL-12  
AL-CU



SCREWS ARE SUPPLIED WITH CONNECTOR AND COMES FULLY ASSEMBLED.

REV.	DESCRIPTION	ECN	DATE	INIT.
A	NEW DRAWING CREATED			TS

TO ORDER CMC PRODUCTS CALL 1-513-860-4455  FOR PRODUCT INFO: <a href="http://www.cmclugs.com">http://www.cmclugs.com</a>	DRAWN BY: TS 12/24/18	NAME OF PART: UNIVERSAL STUD CONNECTOR	CAT. NO.: SEE TABLE
	CHECKED BY:	DWG NO.: C58700541-S (CHARTED)	<b>B</b> 
DRAWING NOT TO SCALE		SHEET NO: 1 OF 1	

THIS INFORMATION IS PROPRIETARY TO CONNECTOR MFG. CO. AND IS NOT TO BE DISCLOSED OUTSIDE OF CONNECTOR MFG. CO. WITHOUT A CONFIDENTIALITY AGREEMENT



**CONNECTOR MANUFACTURING CO.**

HAMILTON, OHIO